



500 W UP TO 4000 W FIBER LASER
OPTIONAL CO2 LASER VERSION AVAILABLE

Item	Specification	Unit
Working range (X x Y)	1250 x 1250	mm ²
X-axis stroke	1300	mm
Y-axis stroke	1260	mm
Z-axis stroke	100	mm
Max. speed X-axis	60	m/min
Max. speed Y-axis	60	m/min
Max. speed Z-axis	30	m/min
Max. acceleration X-axis	10	m/s ²
Max. acceleration Y-axis	10	m/s ²
Max. acceleration Z-axis	15	m/s ²
Positioning accuracy	±0.03	mm
Position deviation	±0.05	mm
Machine weight	3400	kg
Machine Table weight	210	kg
Machine dimensions with door closed (L x W x H)	*4000×2200×2170	mm ³
Machine dimensions with door opened (L x W x H)	*4000×3120×2170	mm ³
Max. power consumption	8	kVA

*: including operator panel on swing arm

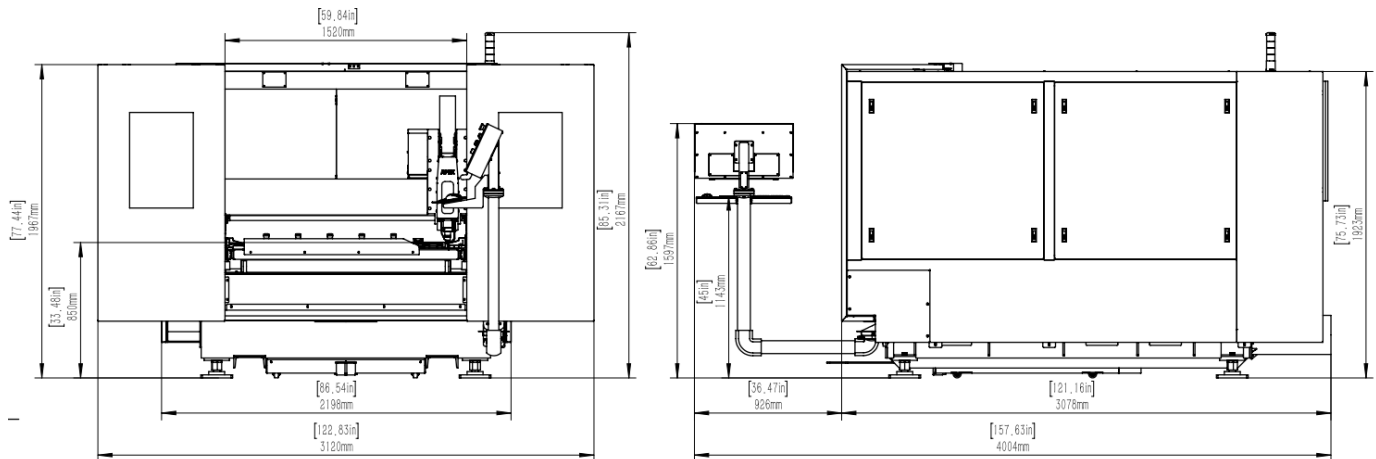
ELECTRICAL INSTALLATION REQUIREMENTS

Item	Specification	Unit
Power supply	3 x 380	V
Net frequency	50	Hz

For more information contact sales.europe@prclaser.com

www.prclaser-europe.be

MACHINE LAY-OUT



NOTE: Machine lay-out is for reference only, complete lay-out depends on the configuration of laser source, chiller, dust collector and depends on your specific requirements!

- **The PRC Laser M1212 is a compact high-dynamic 2D laser cutting machine designed for small format sheet metal, with a working range of 1.25m x 1.25m**
- **Designed for laser beam delivery by optical fiber (500W to 4000W). Can be equipped with different cutting heads, based on the specific application and needs. Also available with CO2 Laser.**
- **Superior Dynamics without compromising on the cutting accuracy.**
- **Heavy and rigid machine frame structure, requiring no floor anchoring. Easy and straightforward installation, machine comes in one single piece.**
- **Extremely ergonomic semi-automatic loading/unloading system. Not only can the work table be brought out of the machine for convenient over-head loading or unloading, but additionally the automatic working table tilting system offers loading/unloading in a nearly vertical position, without breaking your back!**

For more information contact sales.europe@prclaser.com

www.prclaser-europe.be